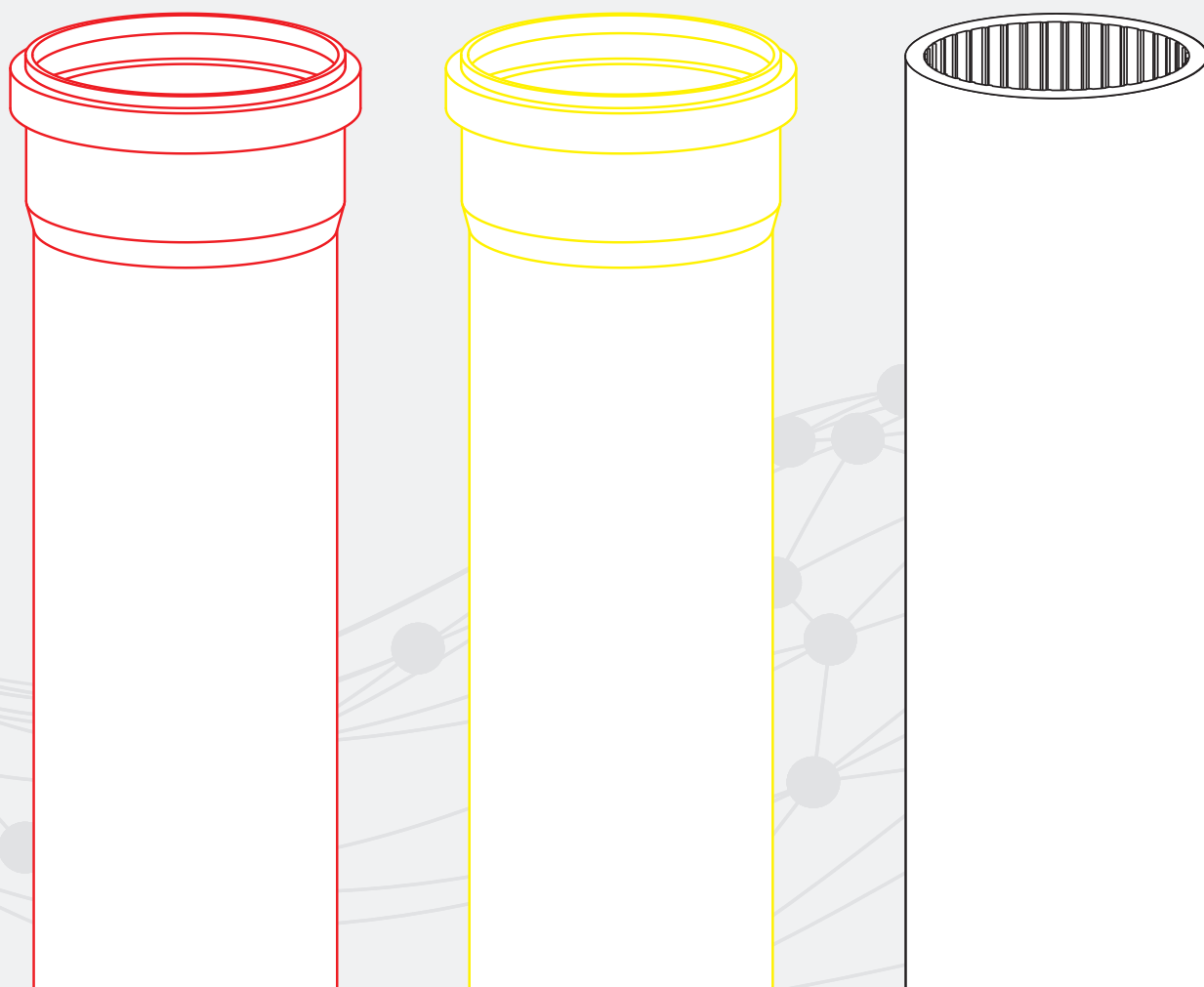


vargotect

CABLE PROTECTION PIPES

PIPES FOR CABLE PROTECTION AGAINST MECHANICAL DAMAGE

Technology
and tradition.



CATALOGUE 08/2022

Complete solutions for
**sewage, water / gas supply,
drainage and cable protection**

 **VARGON**
INSTALLATION SYSTEMS



vargotect

CABLE SEWAGE

zc vargoplen

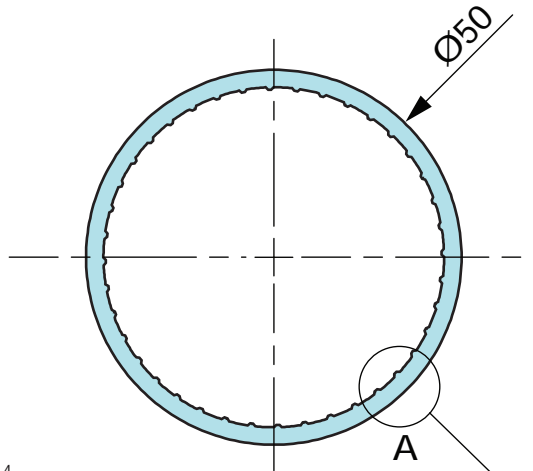
PE PIPE WITH INTERNAL CORRUGATION

zc vargokal 3S / zc vargokal 3S+

PP/MF THREE LAYER PIPE WITH SOCKET

ACCESSORIES

PIPE WITH INTERNAL CORRUGATION PN 6



material: PE-HD

outer diameter: $\text{Ø}50^{+0,4}_0$

weight: 0,375 kg/m

number of fines: 40

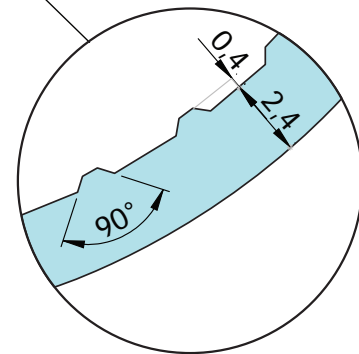
standard: HRN EN ISO 1167-1, -2

specific weight: PE-HD > 0,955 g/cm³

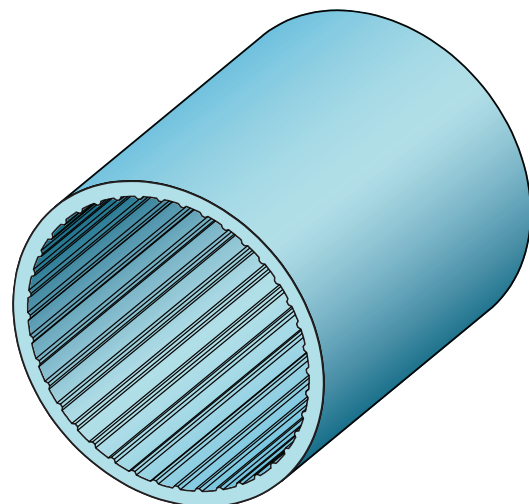
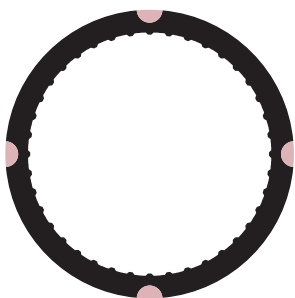
dimensional stability: PE-HD <3%

pipe color: black with four longitudinal pink lines

purpose: for the protection of optical and telecommunication cables



detail A
value 5:1



PIPE WITH INTERNAL CORRUGATION PN 8

material: PE-HD

outer diameter: $\text{Ø}40^{+0,3}_0$

weight: 0,300 kg/m

number of fines: 40

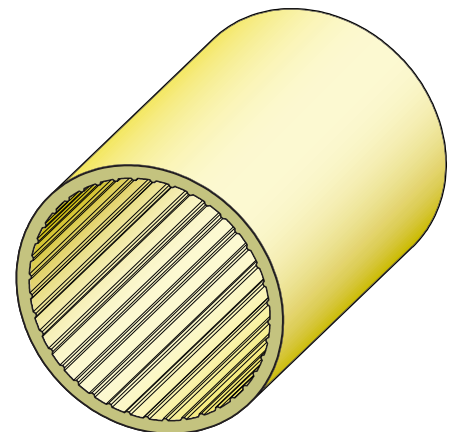
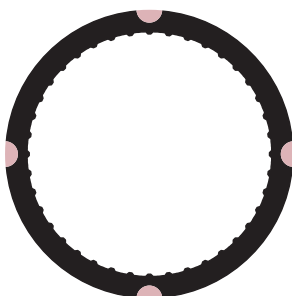
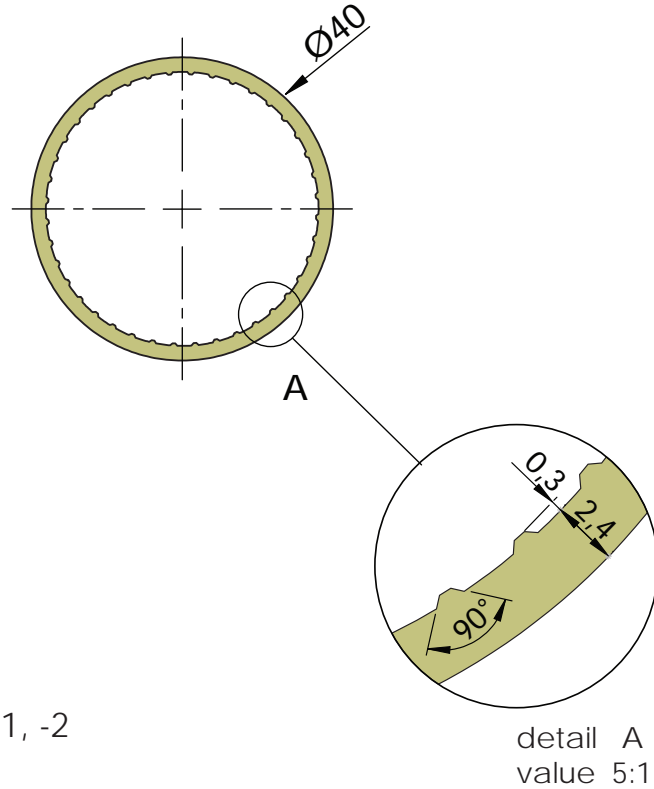
standard: HRN EN ISO 1167-1, -2

specific weight: PE-HD > 0,955 g/cm³

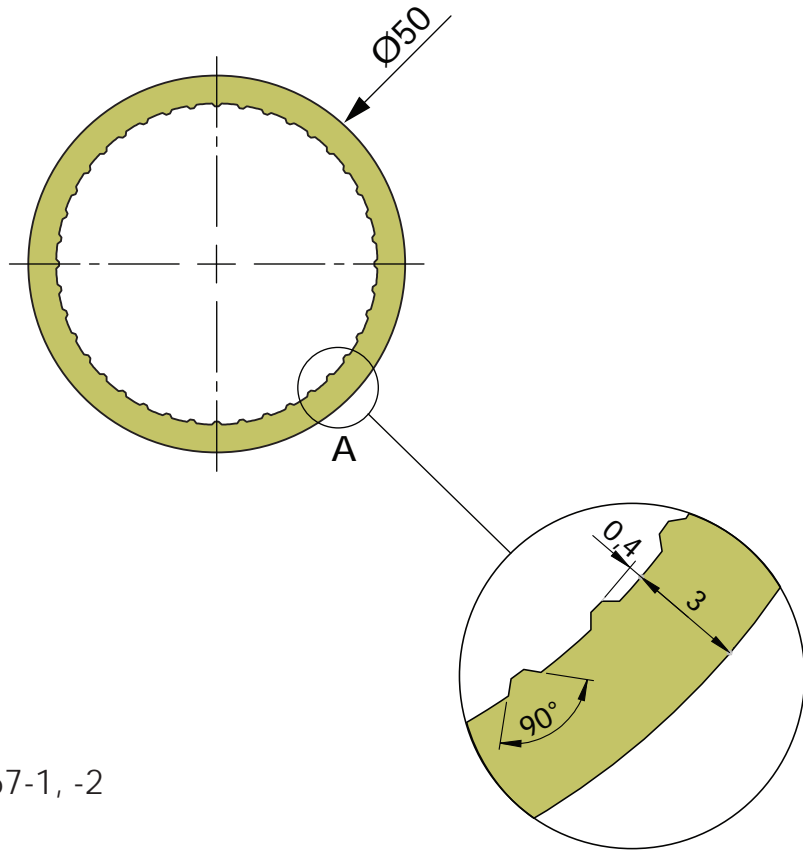
dimensional stability: PE-HD <3%

pipe color: black with four longitudinal pink lines

purpose: for the protection of optical and telecommunication cables



PIPE WITH INTERNAL CORRUGATION PN 8



material: PE-HD

outer diameter: $\text{Ø}50^{+0,4}_0$

weight: 0,460 kg/m

number of fines: 40

standard: HRN EN ISO 1167-1, -2

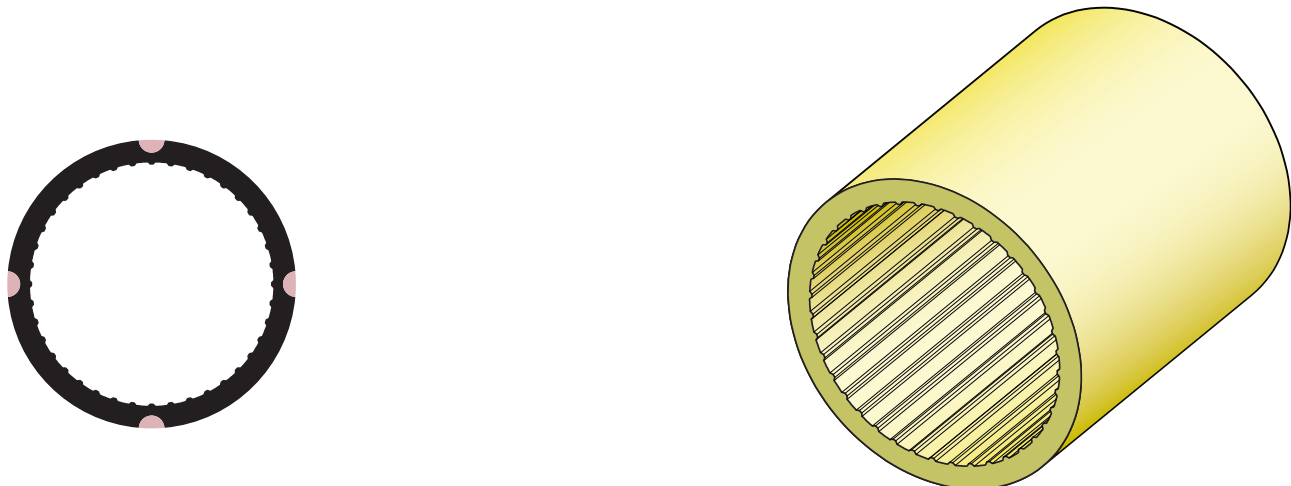
specific weight: PE-HD > 0,955 g/cm³

dimensional stability: PE-HD <3%

pipe color: black with four longitudinal pink lines

purpose: for the protection of optical and telecommunication cables

detail A
value 5:1



PIPE WITH INTERNAL CORRUGATION PN 10

material: PE-HD

outer diameter: $\text{Ø}32^{+0,3}_0$

weight: 0,232 kg/m

number of fines: 40

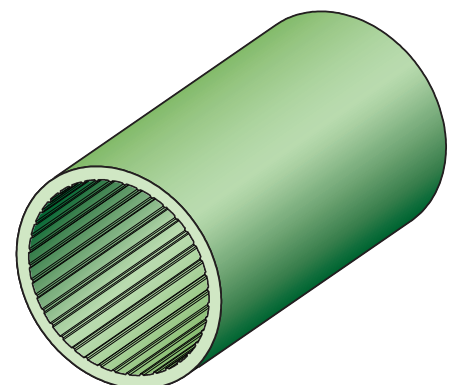
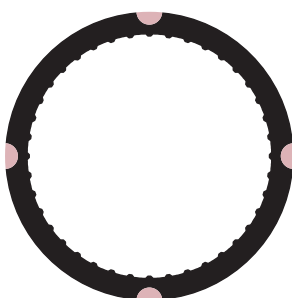
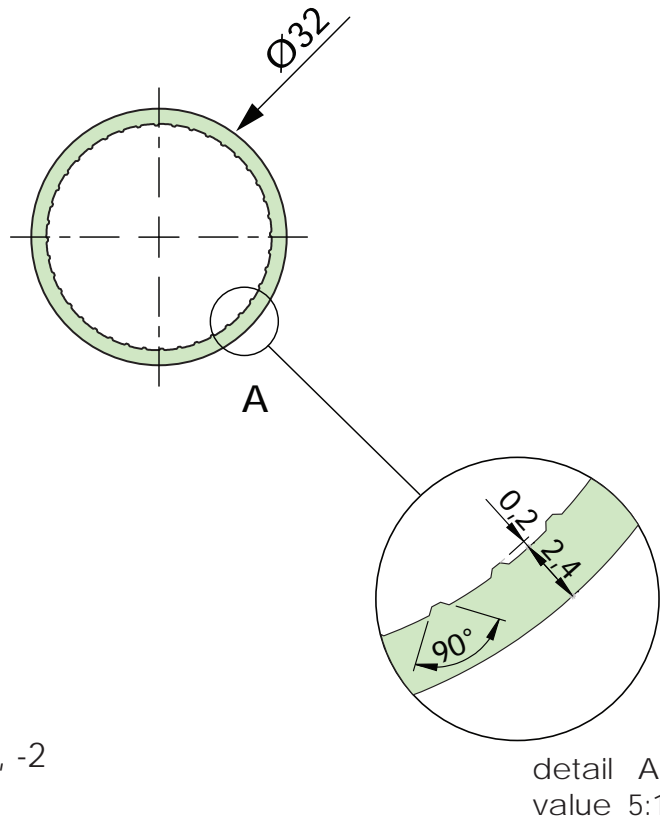
standard: HRN EN ISO 1167-1, -2

specific weight: PE-HD > 0,955 g/cm³

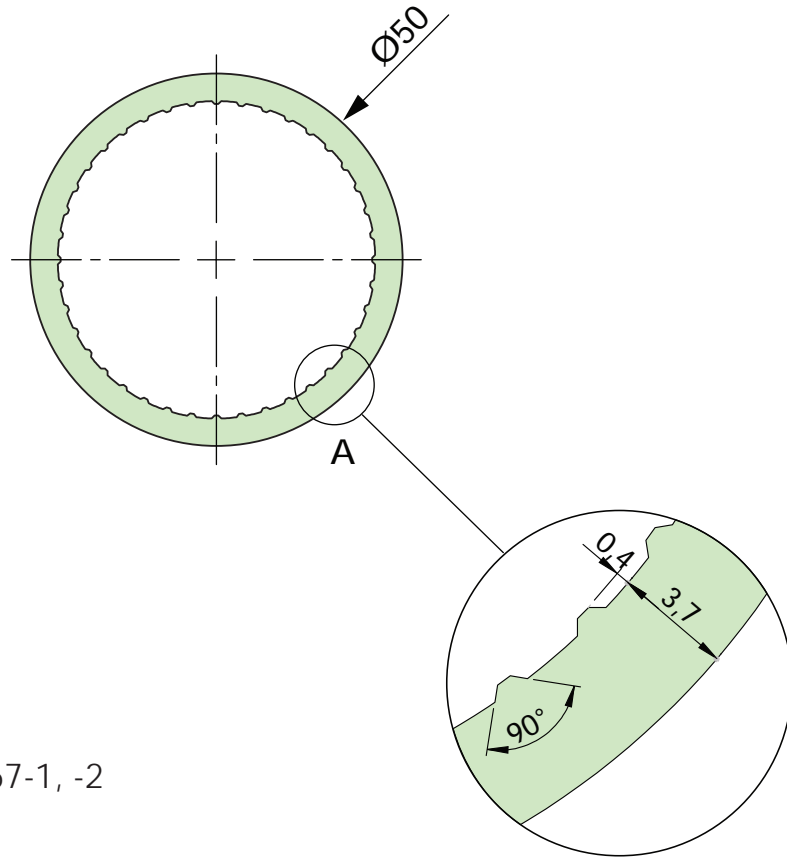
dimensional stability: PE-HD <3%

pipe color: black with four longitudinal pink lines

purpose: for the protection of optical and telecommunication cables



PIPE WITH INTERNAL CORRUGATION PN 10



material: PE-HD

outer diameter: $\text{Ø}50^{+0,4}_0$

weight: 0,545 kg/m

number of fines: 40

standard: HRN EN ISO 1167-1, -2

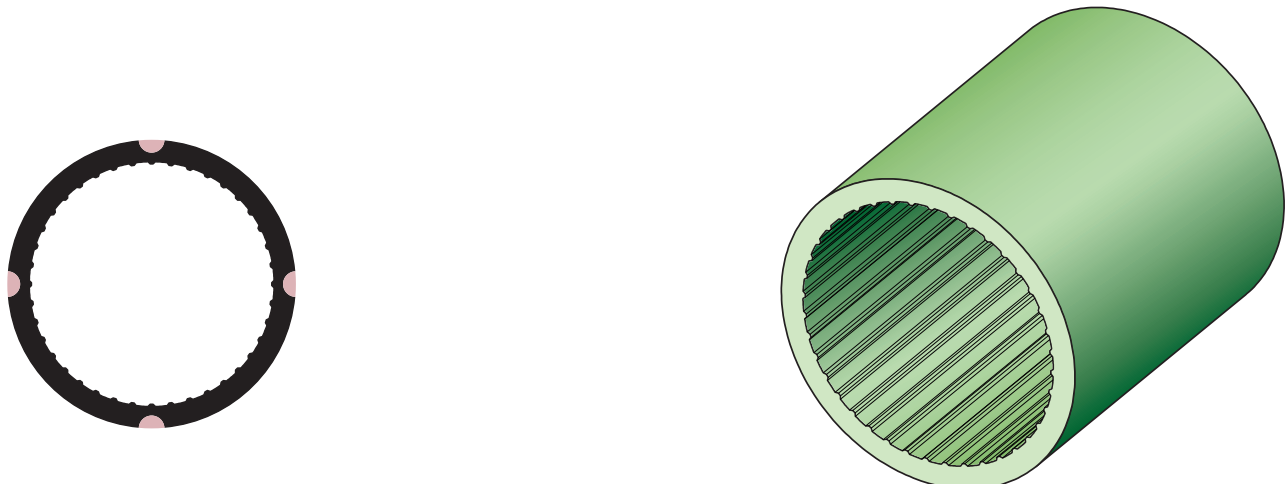
specific weight: PE-HD > 0,955 g/cm³

dimensional stability: PE-HD <3%

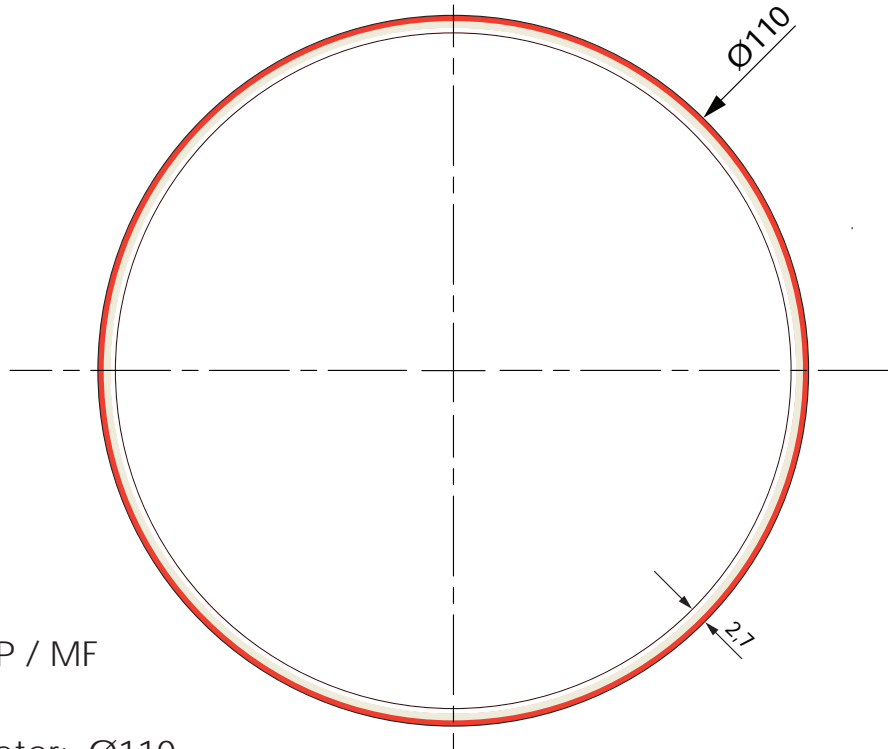
pipe color: black with four longitudinal pink lines

purpose: for the protection of optical and telecommunication cables

detail A
value 5:1



THREE LAYER PIPE WITH SOCKET AND SEAL SN2



material: PP / MF

outer diameter: $\text{Ø}110$

wall thickness: 2,7 mm

weight: 1,10 kg/m

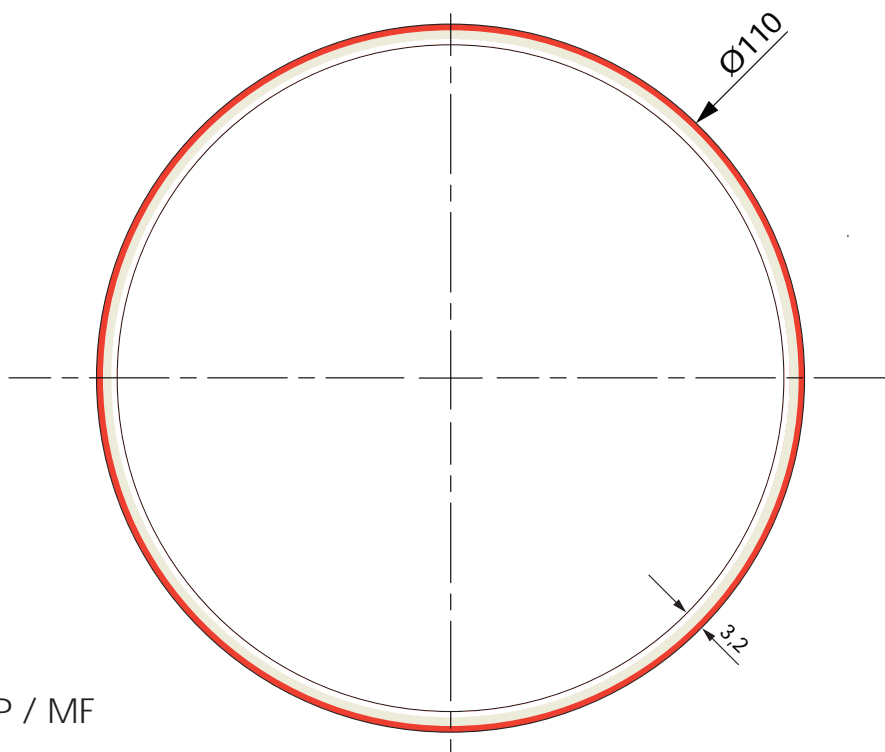
standard: HRN EN 1451

pipe color: red

purpose: for the protection of
power cables



THREE LAYER PIPE WITH SOCKET AND SEAL SN4



material: PP / MF

outer diameter: $\text{Ø}110$

wall thickness: 3,2 mm

weight: 1,32 kg/m

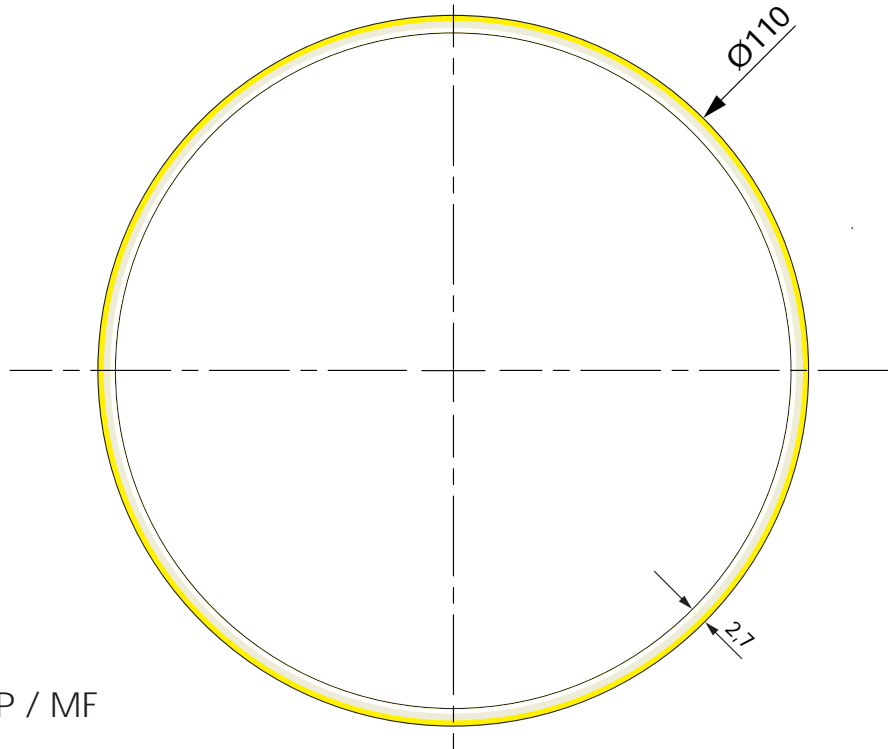
standard: HRN EN 1451

pipe color: red

purpose: for the protection of
power cables



THREE LAYER PIPE WITH SOCKET AND SEAL SN2



material: PP / MF

outer diameter: $\text{Ø}110$

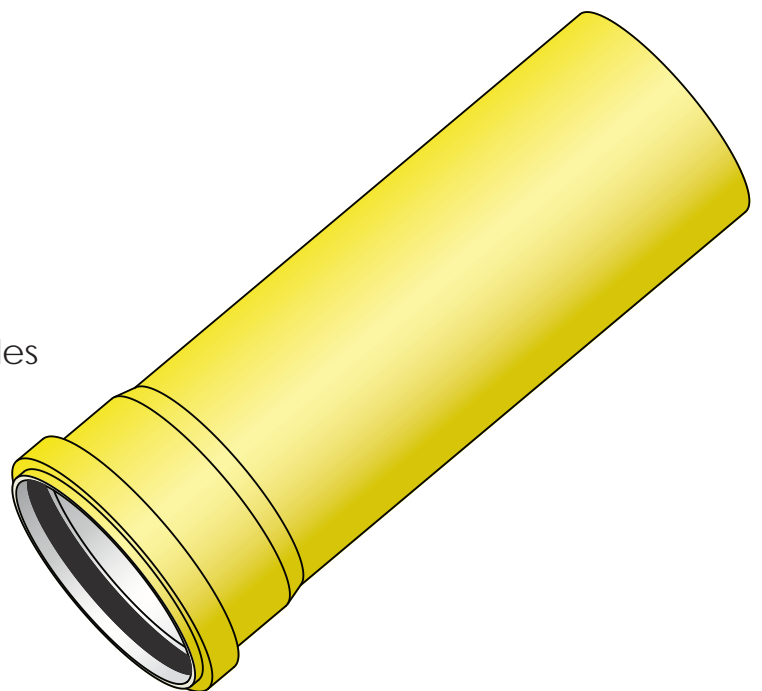
wall thickness: 2,7 mm

weight: 1,10 kg/m

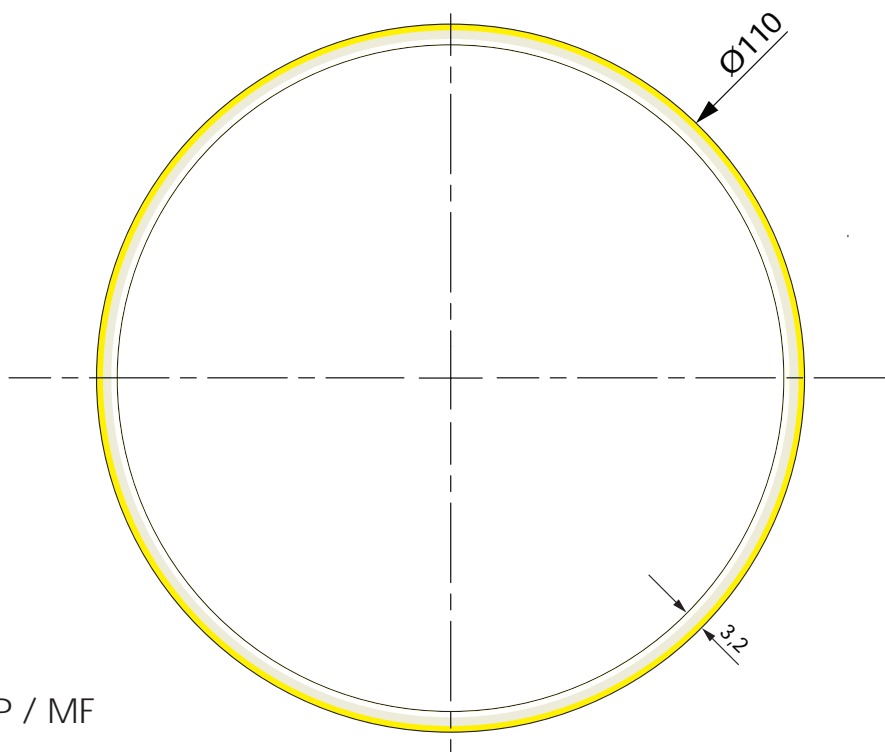
norm: HRN EN 1451

pipe color: yellow

purpose: for the protection of
telecommunications cables



THREE LAYER PIPE WITH SOCKET AND SEAL SN4



material: PP / MF

outer diameter: $\text{Ø}110$

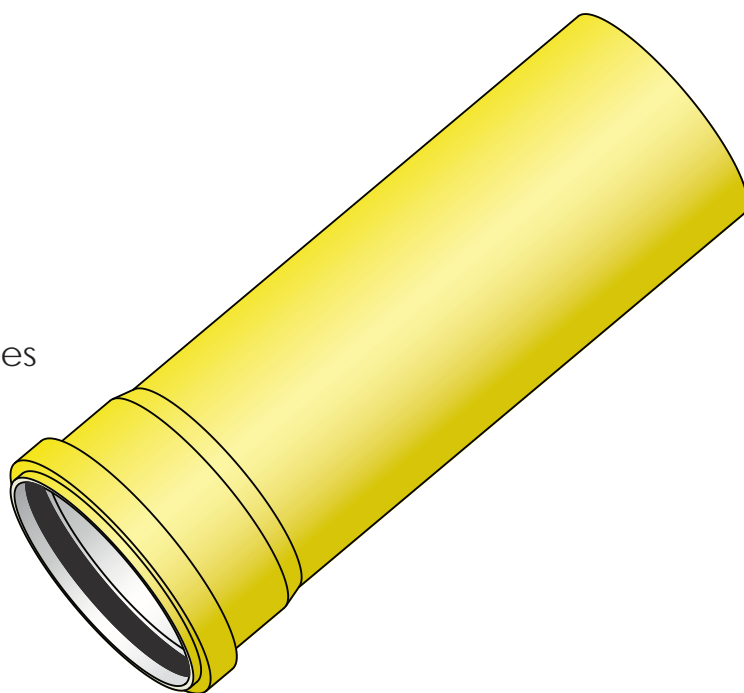
wall thickness: 3,2 mm

weight: 1,32 kg/m

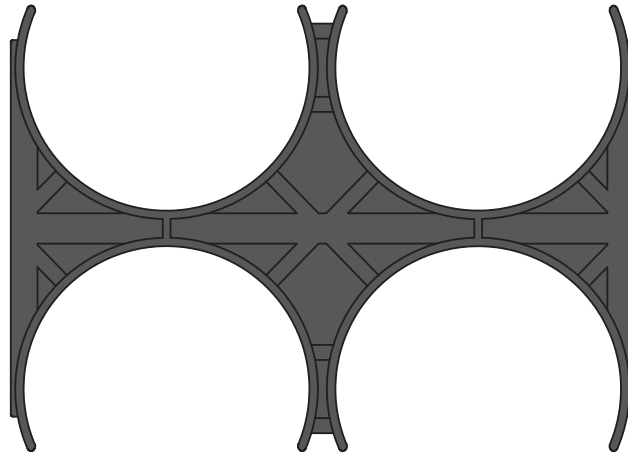
norm: HRN EN 1451

pipe color: yellow

purpose: for the protection of
telecommunications cables



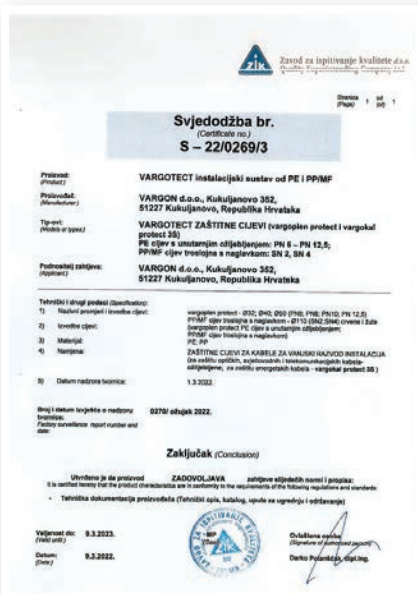
DISTANCE HOLDER FOR PIPE Ø110 / 4



material: PO (PP / PE)

weight: 0,045 kg

dimension: 240 x 170 mm (l x w), thickness: 103 mm



vargokal

HOUSE SEWAGE SYSTEM

vargokal PLUS

HOUSE SEWAGE SYSTEM - LOW NOISE

vargokal ULTRA

HOUSE SEWAGE SYSTEM - SILENT

vargokal SIF

HOUSE SEWAGE SYSTEM - SYPHONS

vargoterm

HOUSE WATER SUPPLY

vargoplen

WATER

vargoplen

IRRIGATION AND SEWAGE

vargoplen

GAS

vargokor

SEWAGE PIPES

vargokor

SEWAGE CHAMBERS AND CATCHPITS

vargodren

DRAINAGE PIPES

vargotect

CABLE PROTECTION PIPES

vargoheat

FLOOR HEATING PIPES

Local distributor:



Find us on:



☎ 00385 (0)51 251 800

☎ 00385 (0)51 251 801

✉ info@vargon.hr

📍 Kukuljanovo 352, 51227 Kukuljanovo, Croatia

🌐 www.vargon.hr